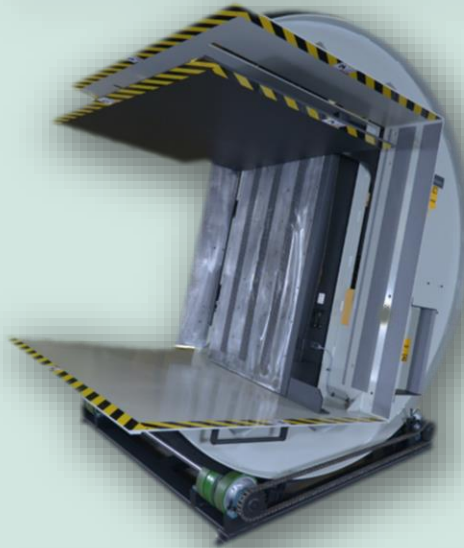


Automatan

BY INSPIRE AUTOMATION

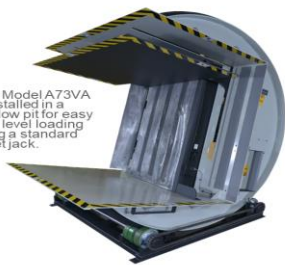


JOGGER / AERATORS

Whether turning, jogging or aerating large sheets in a printing operation, or changing pallets for shipping, manual handling of large loads can be time consuming and expensive. The Automatan Jogger/Aerator reduces these tasks to a simple, one-person operation that produces an evenly stacked pile of sheets in a fraction of the time required versus manual aerating and stacking. Based on conservative estimates of labor savings alone, it is possible to pay for an Automatan Jogger/ Aerator in less than a year. This device is available in a range of sizes to meet most requirements.

The Automatan Jogger/Aerator improves the condition of the product it handles. Jogging brings the gripper and side guide edges of the load into perfect alignment. Aerating separates sheets and blows out entrapped offset powder, dust and scrap from the loads. Partial pallet loads can easily be combined to form full loads. Poor quality material can be identified and culled from the load. The adjustable air and vibration features enable the operator to jog and aerate a wide variety of sheet sizes and substrates.

This Model A73VA is installed in a shallow pit for easy floor level loading using a standard pallet jack.



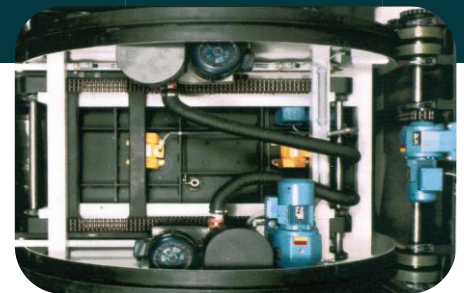
SIMPLE OPERATION

Automatan Jogger/Aerators are designed for one-person handling of Pallet-sized loads.



AERATION

Air flow is directed through rows of holes in the air deck by narrow openings in the traveling air belt.



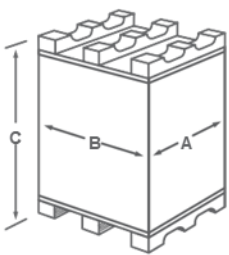
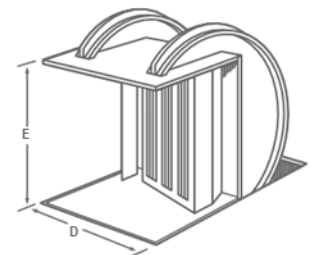
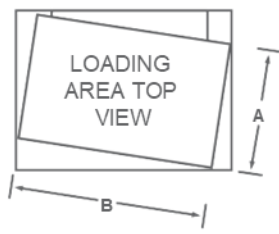
PRESS PLATE DRIVE ASSEMBLY

Press plate drive assembly and air and vibration systems are installed in the rear panel of the jogger/aerator and are easily accessible for routine maintenance.

JOGGER / AERATORS

SPECIFICATIONS

MODEL	LOAD SPECIFICATIONS			MACHINE SPECIFICATIONS			
	Maximum Format A B	Maximum Pile Height Including Pallet C	Capacity	Width of Opening D	Height of Opening E	Machine Weight	Power Requirements 380V-480V 50/60HZ
73	43" x 65" (1090 x 1650mm)	67" (1700mm)	4500 lbs (2040 kg)	78.75" (2000mm)	73" (1850mm)	9400 lbs (4260 kg)	60 amps
83	43" x 65" (1090 x 1650mm)	77" (1960mm)	5500 lbs (2490 kg)	78.75" (2000mm)	83" (2110mm)	10800 lbs (4900 kg)	60 amps

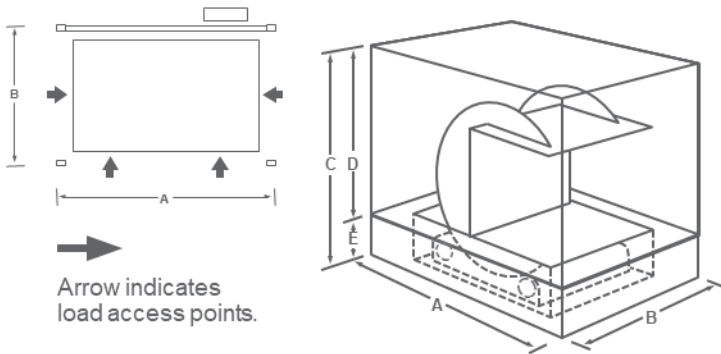




*Other voltages available.

Note: The A83VA/8300 Jogger/Aerator is available in an extended format size:
• A83VAXF of 54" x 78"
• A83VAXFS of 60" x 81"

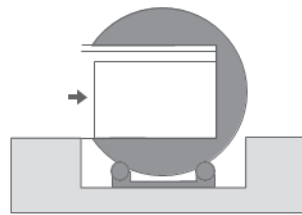
CONSTRUCTION

Machine space requirements and recommended* minimum clearance from stationary objects.

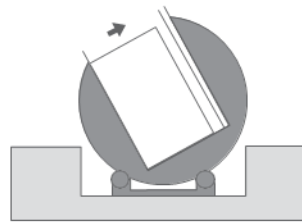


Size	A	B	C	D	E
73	134.50" (3420mm)	109.50" (2780mm)	106" (2690mm)	87" (2210mm)	19" (480mm)
83	138.50" (3520mm)	109.50" (2780mm)	116.25" (2950mm)	97.25" (2470mm)	19" (480mm)

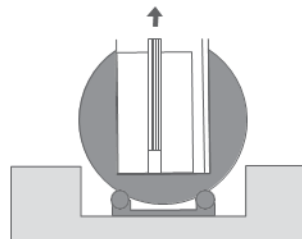
*These measurements represent minimum operational clearances from building support columns, overhead trusses, beams, and utilities. Additional space adequate for loading/unloading, electrical cabinet and operator convenience must be allowed. The product, product flow, and pallet handling equipment in each plant affect additional space requirements for loading/unloading in your facility. Note: While these specifications may be used for general site planning, they SHOULD NOT be used for site preparations. All specifications are subject to change without notice.



The base of the jogger/aerator is installed in a pit so that loading and unloading can be done at floor level. The press plate is lowered to secure the load before turning. Loading can also be done from the press plate side.



The pile is turned 180° in seconds. When jogging and aerating, the pile is turned 90° to bring the sheets to a vertical position.



Pressure is released from the press plate to allow air flow between the sheets. At the same time, vibration in the working platform aligns the sheets against the alignment bar.

OPTIONS

- Machine cycle:
manual, semi-automatic,
automatic (board machines)
- Racking gate
- Stop bar:
manual, motorized
- De-racker
- Remote access
- Static reduction
- Foot pedal
- Latch turn
- Spare parts package