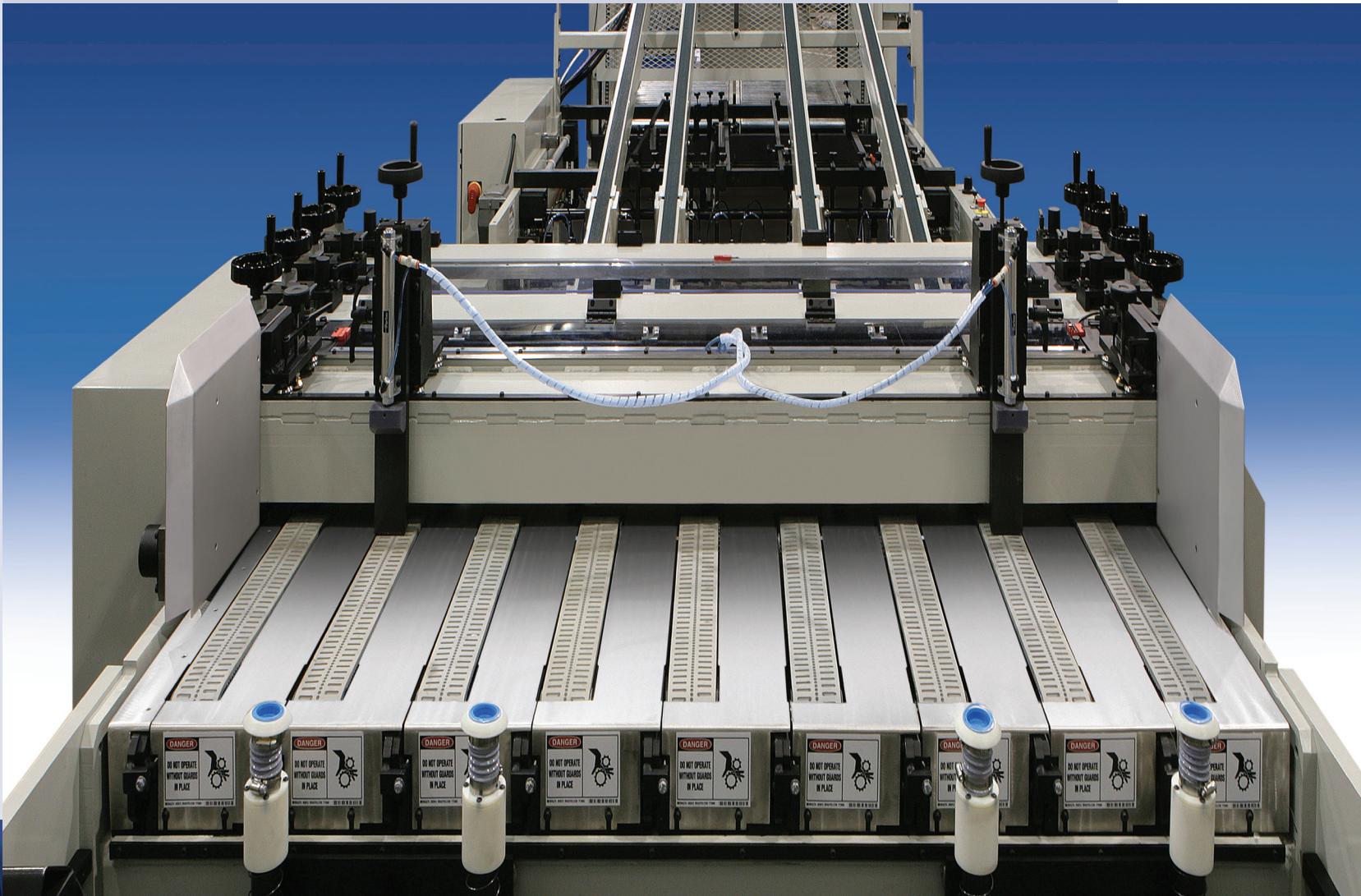


**Model EM**

# LITHO LABELING SYSTEMS

For spot and full mounting  
to sheets and knocked-down boxes.



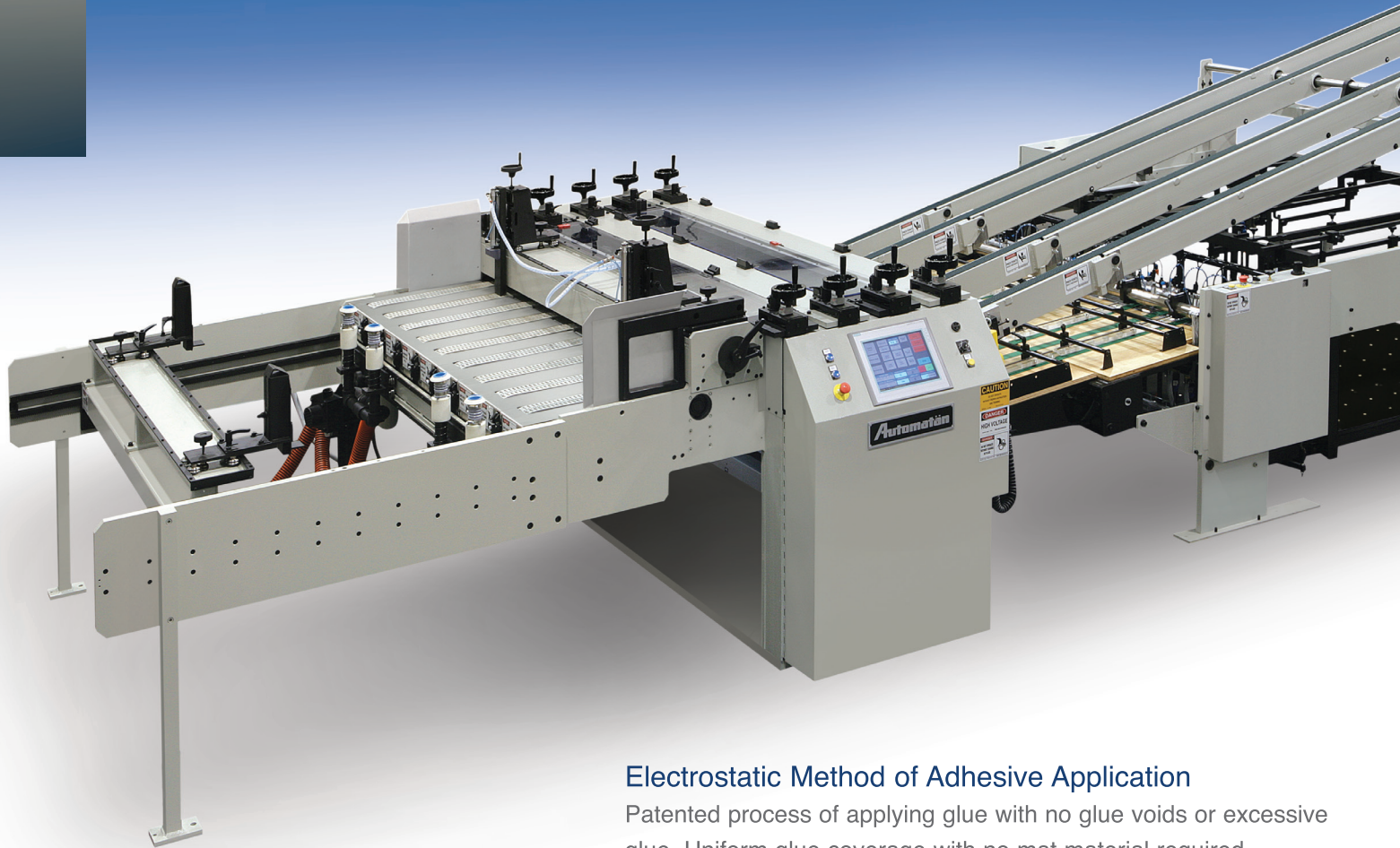
# Automatän

Providing Expert Advice for the Paper/Paperboard Industry





# Model EM Litho Label Systems



## Electrostatic Method of Adhesive Application

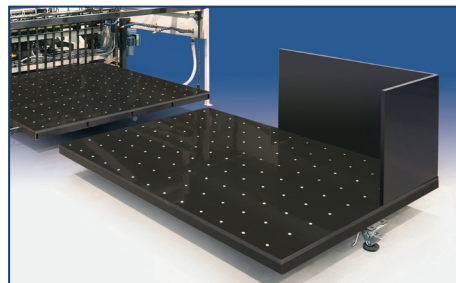
Patented process of applying glue with no glue voids or excessive glue. Uniform glue coverage with no mat material required.

Patent No: US 6,808,593 B2



### BOARD FEEDER

Lead edge vacuum feed.  
Independent servo driven vacuum belts ensure accurate and consistent substrate feeding.



### LITHO SHEET PRELOAD SYSTEM

Moveable air-deck allows litho sheets to be staged for rapid change-over.  
Litho sheet pile is air floated and moves with fingertip pressure.



### LEAD EDGE LITHO FEEDER

Independent suction valves operate on one feed head providing fast set-up times and consistent feeding of litho sheets.



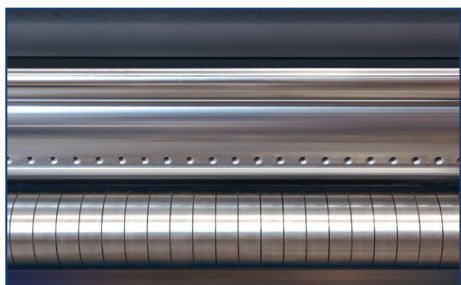


## Model EM Automatän® Litho Label Systems

- High productivity with precise registration and low waste adds up to real value
- Wide board and label size range for maximum versatility to fit your customers' packaging needs
- Proven AC Drive Technology for high reliability with low maintenance
- Single Source Drive Controller simplifies the electrical system design and operating programs
- Display panel provides the operator with easy-to-use menus and screens for fingertip control of the laminating process
- Machine design, utilizing off-the-shelf electronics and mechanical components, simplifies maintenance and reduces costs
- Stationary machine components with tilt-down transfer units allow easy access for machine set-up, equipment additions, clean-up and routine maintenance

### Options Available:

- 82" x 80" Down Stacker - non-stop & powered outfeed conveyors
- 120" x 80" Extended Format Stacker - non-stop & powered outfeed conveyors
- Litho Feed up to .024"
- Dual Label/Board/Stack Option
- Web Label Module



### VACUUM & BAND ROLL SYSTEM

Proven Automatän vacuum cylinder and band roll allow for accurate label transfer without glue lines or glue build up.



### TOUCH SCREEN CONTROL PANEL

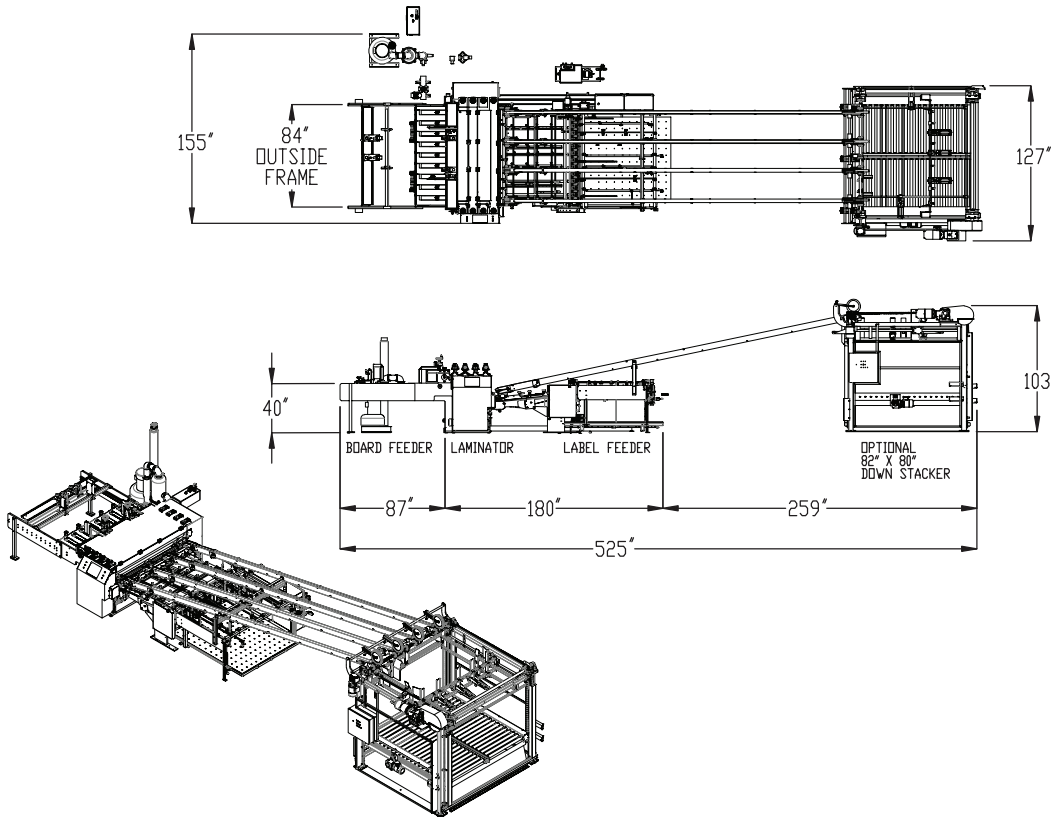
Operator friendly touch screen control panel. Technical support and program updates via modem connection.



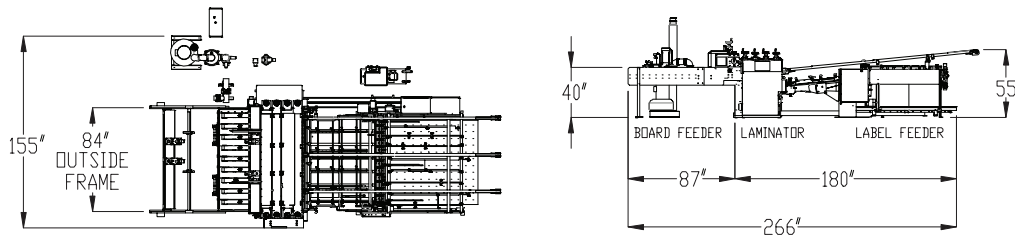
Please see the back for more details on how ROI can save you money.

# Model EM

## Model EM Automatän® Litho Labeling System



## Model EM Automatän® Litho Labeling System Without a Stacker



FORMAT SIZES	LABEL	BOARD	SPEED
Minimum	8" X 6" (200mm x 150mm)	20" x 16" (500mm x 400mm)	
Maximum	39" x 65" (990mm x 1650mm)	40" x 80" (1070mm x 2030mm)	3,000/hr
With Skip Feed	82" x 65" (2080mm x 1650mm)	85.5" x 80" (2170mm x 2030mm)	1,500/hr
With Double Skip Feed	82" x 65" (2080mm x 1650mm)	131" x 80" (3325mm x 2030mm)	1,000/hr
Thickness	0.003" (0.075mm) to 0.010"*** (0.254mm) ** Standard – up to .024" with option	.024" (1.5mm) to 0.750" (20mm)	

MACHINE WEIGHT	POWER REQUIREMENTS	AIR REQUIREMENTS
24,000 lbs (10,900 kg)	480 Volt 100 Amp.	80 psi Minimum Air Supply

# Automatän

Your one source for all your labeling and laminating needs.

2911 Apache Drive | Plover, WI 54467 USA

Tel: 715-341-6501 | Fax: 715-345-1004

e-mail: info@automatan.com | website: www.automatan.com

## Automatän Service

Automatän is your **SINGLE SOURCE** for maximizing the operation and efficiency of your equipment with our service programs and parts sales 24 hours a day, seven days a week.

Automatän's team of trained technicians have more than 50 years combined experience and can handle everything from simple repairs in the field to complete rebuilds in our plant.

Preventative Maintenance

Spare Parts Sales

Machine Inspection Program

Technical Improvement

Technical Assistance

Machine Modern Diagnostics

24 hour Hot Line

Machine Assistance Program

Extended Warranty